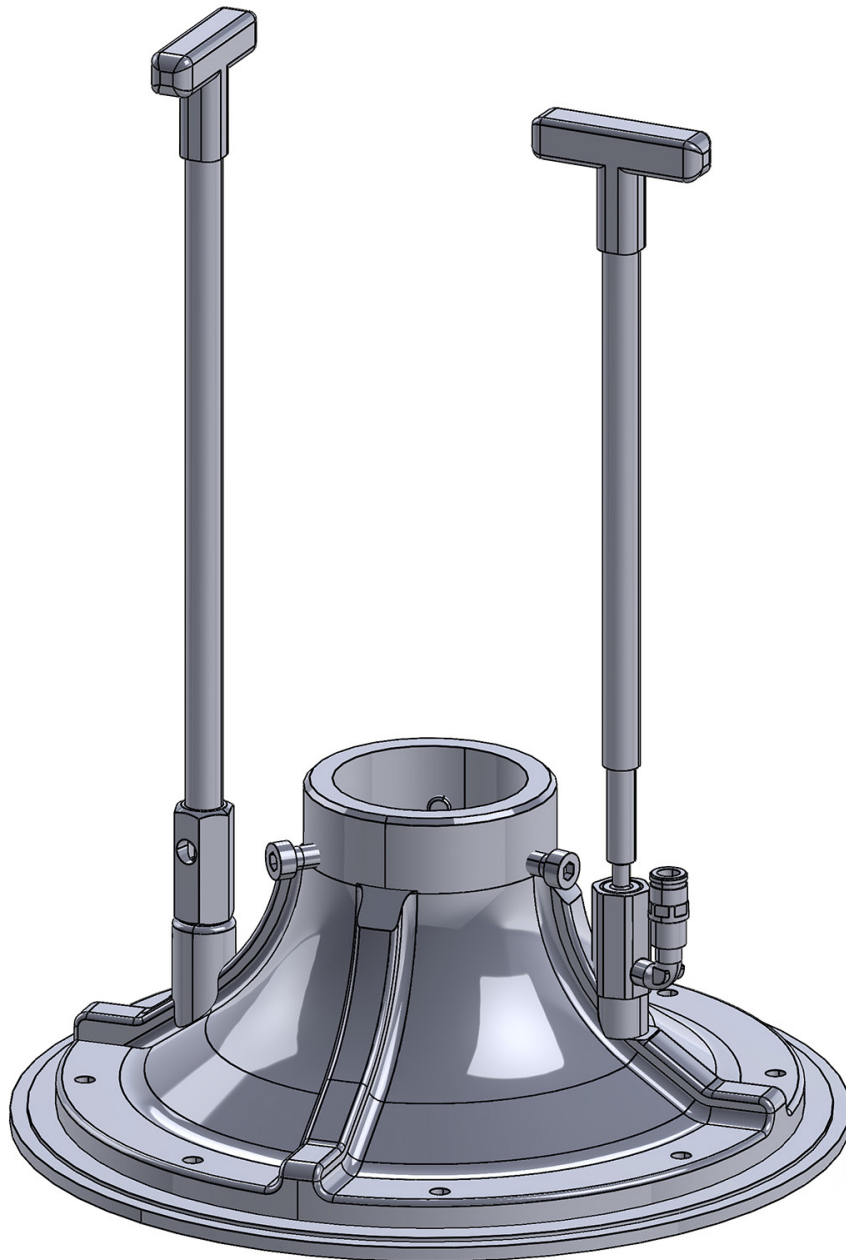


PRESSING PLATE

30 lt drums

Suitable for pumps:

- GHIBLI
- VEGA
- NOVA
- OMEGA
- SIRIO



This manual is to be considered as an English language translation of the original manual in Italian. The manufacturer shall bear no responsibility for any damages or inconveniences that may arise due to the incorrect translation of the instructions contained within the original manual in Italian.

Due to a constant product improvement program, the factory reserves the right to modify technical details mentioned in this manual without prior notice.



PRESSING PLATE

30 litres drums

INDEX

A	ELENCO RICAMBI PIATTI PREMENTI PER FUSTI DA 30 LITRI	2
B	KIT ELENCO RICAMBI PIATTI PREMENTI PER FUSTI DA 30 LITRI.....	4
C	ESPLOSO BUSSOLA DI RIDUZIONE	6
D	BUSSOLA DI RIDUZIONE CORTA	7
E	BUSSOLA DI RIDUZIONE LUNGA.....	7
F	DISTANZIALE	7

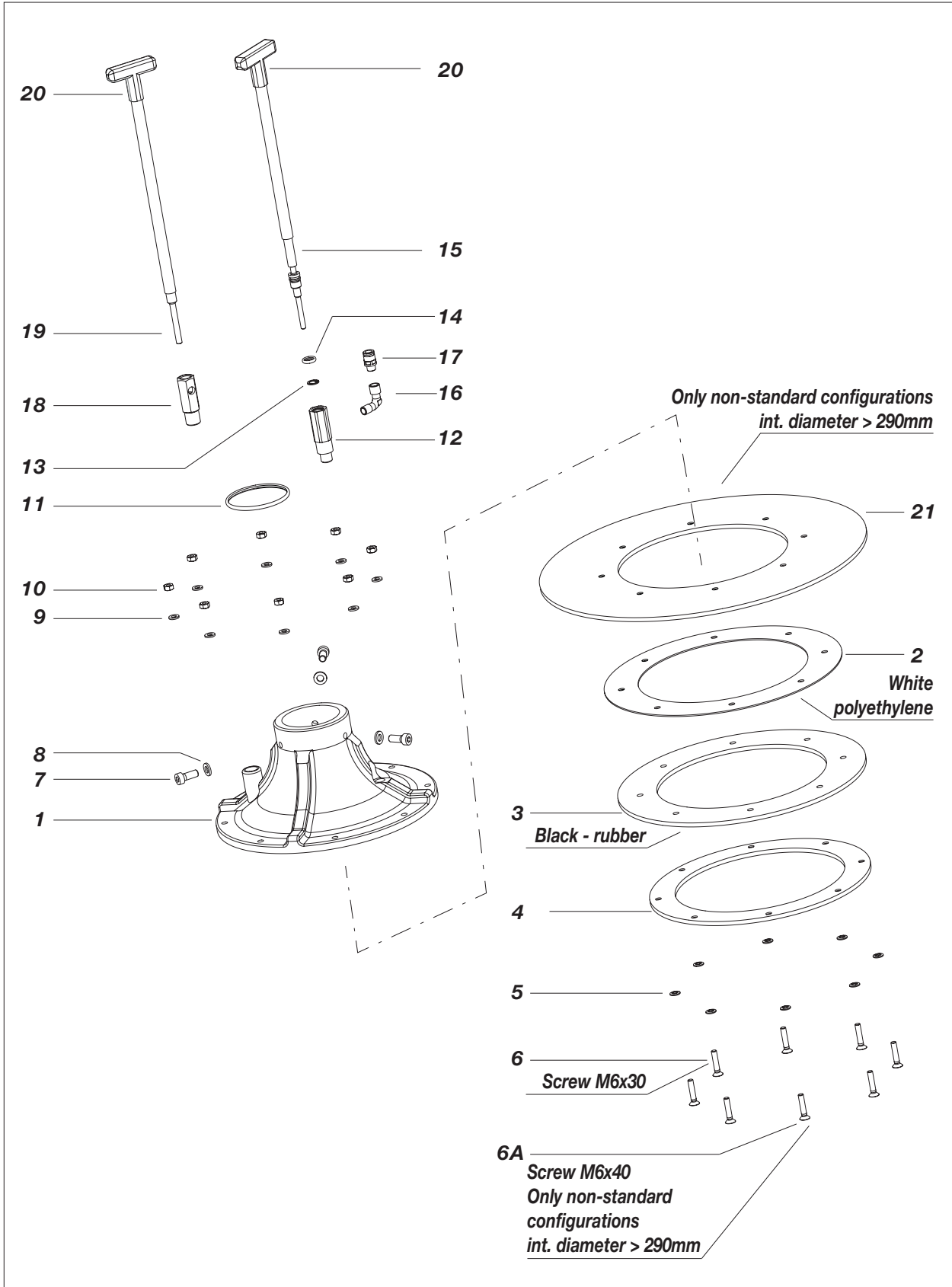
**WE ADVISE THE USE OF THIS EQUIPMENT ONLY BY PROFESSIONAL OPERATORS.
ONLY USE THIS MACHINE FOR USAGE SPECIFICALLY MENTIONED IN THIS MANUAL.**

Thank you for choosing a **LARIUS S.R.L.** product.
As well as the product purchased, you will receive a range of support services
enabling you to achieve the results desired, quickly and professionally.



A LIST OF SPARE PARTS FOR PRESSING PLATES FOR 30 LT DRUMS

WARNING: always indicate code and quantity for each part required.



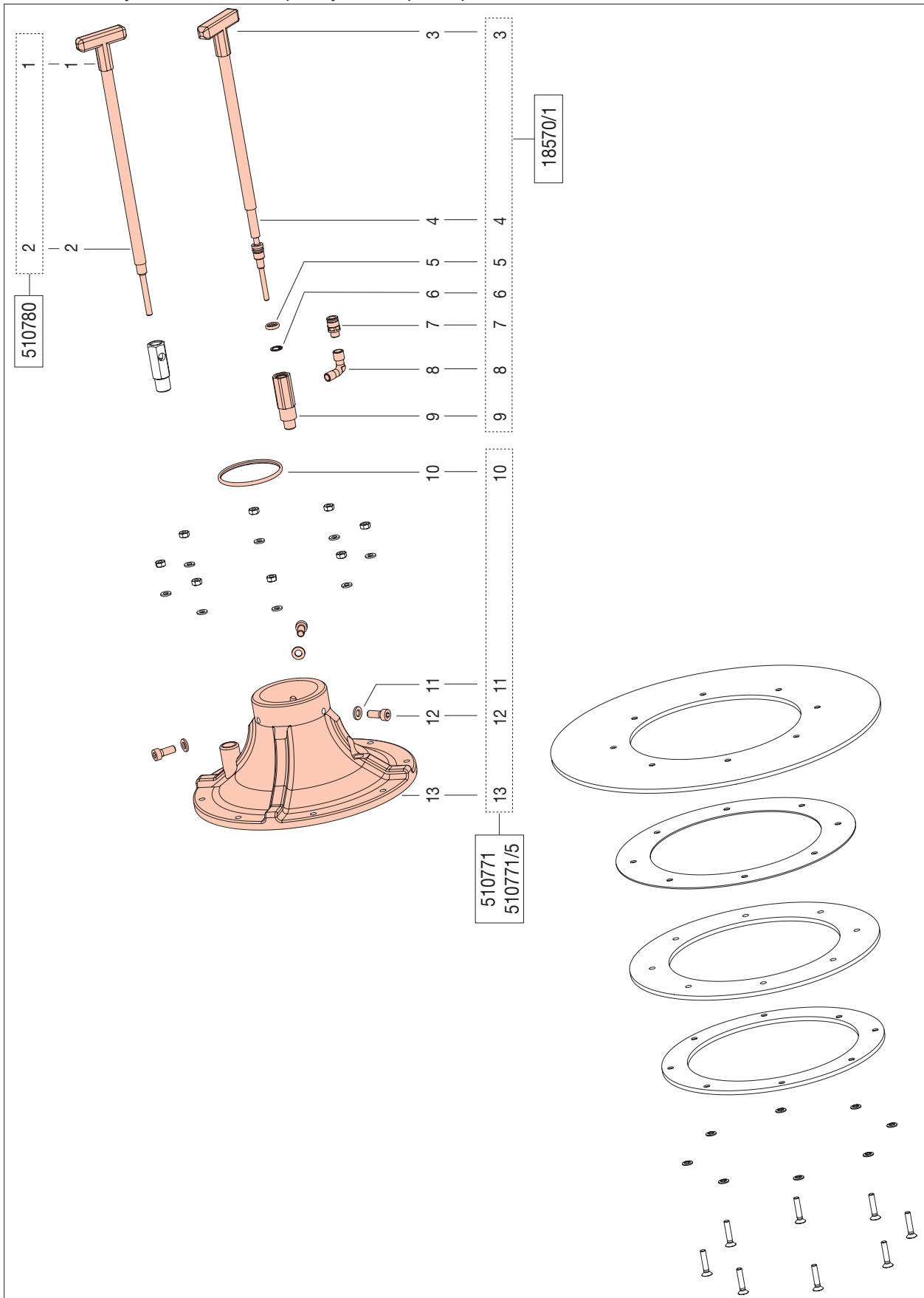


Pos.	Code	Description	Q. ty	Pos.	Code	Description	Q. ty	
1	510778	Pressing plate x F.D.I. >= 290 mm	1	5	11011	Screw gasket	8	
	510778/285	Pressing plate x F.D.I. >= 285 mm	1	6	510028	Screw M6 x 30	8	
	510778/3	Pressing plate x F.D.I. >= 280 mm	1	6A	22759	Screw M6 x 40 to be used with plate pos.21	8	
	510778/1	Pressing plate x F.D.I. >= 282 mm	1					
2	510024/280	Upper drum gasket ø280 mm	1	7	34008	Screw M8 x 20	3	
	510024/285	Upper drum gasket ø285 mm	1	8	52017	Nut M8	3	
	510024	Upper drum gasket ø290 mm (st)	1	9	95063	Washer d.6	8	
	510024/300	Upper drum gasket ø300 mm	1	10	91026	Nut M6	8	
	510024/308	Upper drum gasket ø308 mm	1	11	510796	O-ring 171	1	
	510024/310	Upper drum gasket ø310 mm	1	12	18573	Air purge sleeve	1	
	510024/315	Upper drum gasket ø315 mm	1	13	18571	Elastic ring	1	
	510024/330	Upper drum gasket ø330 mm	1	14	12572	O-ring 2037	1	
	510024/350	Upper drum gasket ø356 mm	1	15	18572	Air intake rod	1	
	510024/356	Upper drum gasket ø370 mm	1	16	3341	Elbow fitting M-F 1/8"	1	
	510024/370	Upper drum gasket ø280 mm	1	17	11781	Fitting 1-8 quick attack d8	1	
	510024/380	Upper drum gasket ø380 mm	1	18	510059/1	Purge sleeve	1	
	510024/385	Upper drum gasket ø385 mm	1	19	510053/1	Air intake rod	1	
	3	510017/280	Lower drum gasket ø280 mm	1	20	91602/1	Handle	2
510017/285		Lower drum gasket ø285 mm	1	21	510774/300	Drum ring ø300mm	1	
510017		Lower drum gasket ø290 mm	1		510774/308	Drum ring ø308mm	1	
510017/300		Lower drum gasket ø300 mm	1		510774/310	Drum ring ø310 mm	1	
510017/308		Lower drum gasket ø308 mm	1		510774/300	Drum ring ø315 mm	1	
510017/310		Lower drum gasket ø310 mm	1		510774/330	Drum ring ø330 mm	1	
510017/315		Lower drum gasket ø315 mm	1		510774/350	Drum ring ø350 mm	1	
510017/330		Lower drum gasket ø330 mm	1		510774/356	Drum ring ø356 mm	1	
510017/350		Lower drum gasket ø356 mm	1		510774/370	Drum ring ø370 mm	1	
510017/356		Lower drum gasket ø370 mm	1		510774/380	Drum ring ø380 mm	1	
510017/370		Lower drum gasket ø280 mm	1		510774/385	Drum ring ø385 mm	1	
510017/380		Lower drum gasket ø380 mm	1					
510017/385		Lower drum gasket ø385 mm	1					
4		510774	Drum ring ø290 mm (ST)		1			
	510774/285	Drum ring ø285 mm	1					
	510774/282	Drum ring ø282 mm	1					
	510774/280	Drum ring ø280 mm	1					
	510774/A	Drum ring ø275 mm	1					



B LIST OF SPARE PARTS FOR PRESSING PLATES FOR 30 LT DRUMS KIT

WARNING: always indicate code and quantity for each part required.





Cod. KIT 510780		
Pos.	Description	Q.ty
1	Handle	1
2	Air intake rod	1

Cod. KIT 510771 con fusto D.I.>=290 mm		
Pos.	Description	Q.ty
10	O-ring 171	1
11	Nut M8	3
12	Screw M8 x 20	3
13	Pressing plate x F.D.I. >= 290 mm	1

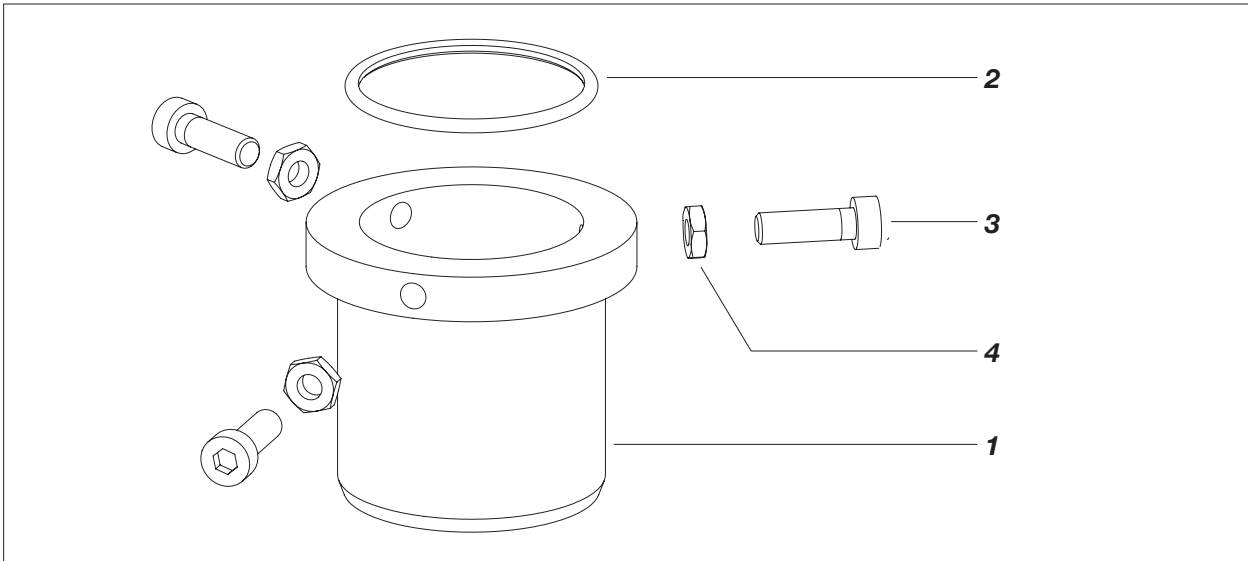
Cod. KIT 18570/1		
Pos.	Description	Q.ty
3	Handle	2
4	Air intake rod	1
5	O-ring 2037	1
6	Elastic ring	1
7	Fitting 1-8 quick attack d8	1
8	Elbow fitting M-F 1/8"	1
9	Air purge sleeve	1

Cod. KIT 510771/5 drum D.I.=285 mm		
Pos.	Description	Q.ty
10	Or 171	1
11	Nut M8	3
12	Screw M8 x 20	3
13	Pressing plate x F.D.I. = 285 mm	1



C EXPLODED VIEW OF REDUCTION BUSH

WARNING: always indicate code and quantity for each part required.



GHIBLI 24/26:1 VEGA 13:1

**COD. KIT 510732 EXPLOED VIEW FOR
GHIBLI 24/26:1 - VEGA 13:1**

Pos.	Code	Description	Q.ty
1	510751	Bush	1
2	95008/3	O-ring	1
3	96031	Screw	3
4	52017	Nut	3

**PRESSING PLATE CONFIGURATION WITH REDUCTION BUSH
FOR 30L DRUM FOR GHIBLI 24/26:1 - VEGA 13:1**

Code	Description
510770/280	internal \varnothing 280 mm drum
510770/285	internal \varnothing 285 mm drum
510770	internal \varnothing 290 mm drum (Standard)
510770/300	internal \varnothing 300 mm drum
510770/305	internal \varnothing 305 mm drum
510770/280	internal \varnothing 308 mm drum
510770/310	internal \varnothing 310 mm drum
510770/315	internal \varnothing 315 mm drum
510770/330	internal \varnothing 330 mm drum
510770/350	internal \varnothing 350 mm drum
510770/360	internal \varnothing 360 mm drum
510770/370	internal \varnothing 370 mm drum
510770/380	internal \varnothing 380 mm drum
510770/385	internal \varnothing 385 mm drum

VEGA 45:1

**COD. KIT 510733 EXPLOED VIEW FOR
VEGA 45:1**

Pos.	Code	Description	Q.ty
1	510752	Bush	1
2	13122	O-ring	1
3	69012	Screw	3
4	52017	Nut	3

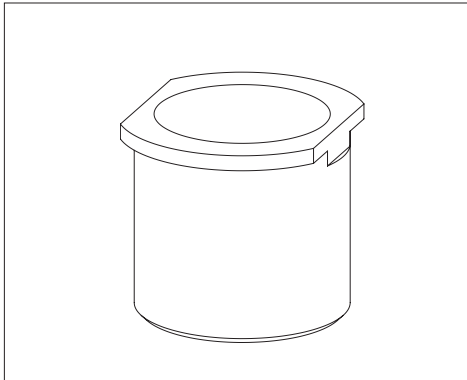
**PRESSING PLATE CONFIGURATION WITH REDUCTION BUSH
FOR 30L DRUM FOR VEGA 45:1**

Code	Description
510760/280	internal \varnothing 280 mm drum
510760	internal \varnothing 290 mm drum (Standard)
510760/300	internal \varnothing 300 mm drum
510760/308	internal \varnothing 308 mm drum
510760/330	internal \varnothing 330 mm drum



D SHORT REDUCTION BUSH

WARNING: always indicate code and quantity for each part required.

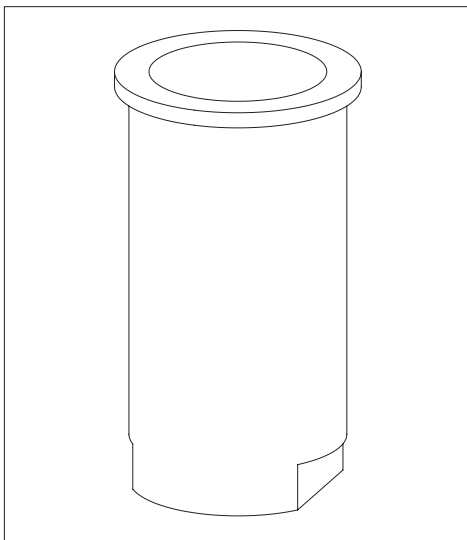


SHORT BUSH FOR GHIBLI 10:1 - VEGA 5:1		
Code	Description	Q.ty
2342	Short bush	1

Actual configuration for pressing plate with short reduction bush for 30L drum for GHIBLI 10:1 - VEGA 5:1	
Code	Description
510781/280	internal ø 280 mm drum
510781	internal ø 290 mm drum (Standard)

E LONG REDUCTION BUSH

WARNING: always indicate code and quantity for each part required.

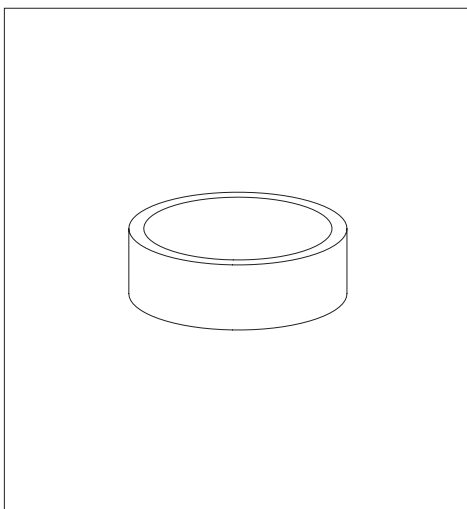


LONG BUSH FOR GHIBLI 10:1 - VEGA 5:1		
Code	Description	Q.ty
2341	Long bush	1

Old configuration for pressing plate with long reduction bush for 30L drum for GHIBLI 10:1 - VEGA 5:1	
Code	Description
510775/282	internal ø 282 mm drum
510775	internal ø 290 mm drum (Standard)
510775/308	internal ø 308 mm drum
510775/356	internal ø 356 mm drum

F SPACER

WARNING: always indicate code and quantity for each part required.



SPACER FOR NOVA 55:1 - OMEGA 28:1 / 40:1 - SIRIO 33:1 / 22:1		
Code	Description	Q.ty
510753	Spacer	1

PRESSING PLTE CONFIGURATION WITH REDUCTION SPACER FOR 30L DRUM FOR NOVA 55:1 - OMEGA 28:1 / 40:1 - SIRIO 33:1 / 22:1	
Code	Description
510750/280	internal ø 280 mm drum
510750	internal ø 290 mm drum (Standard)
510750/308	internal ø 308 mm drum
510750/315	internal ø 315 mm drum
510750/330	internal ø 330 mm drum



LARIUS srl

Via Antonio Stoppani 21 - 23801 Calolziocorte (LC) ITALY
TEL. +39 0341 621152 - Fax +39 0341 621243 - larius@larius.com

www.larius.com

