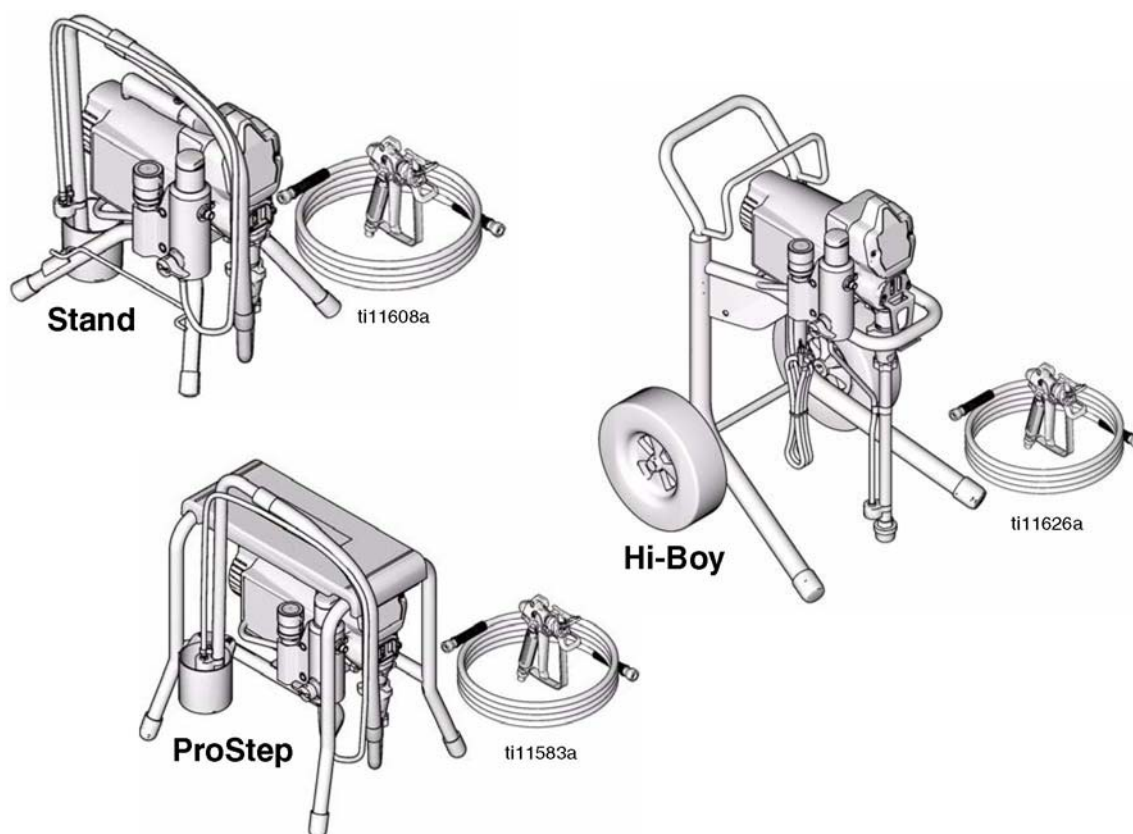


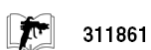
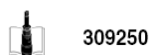
Stříkací zařízení airless 390™

Modely 253958, 254998, 262019, 254968, 254969, 253961,
262024, 256391, 256392, 256481, 826084

311761H



Související manuály:

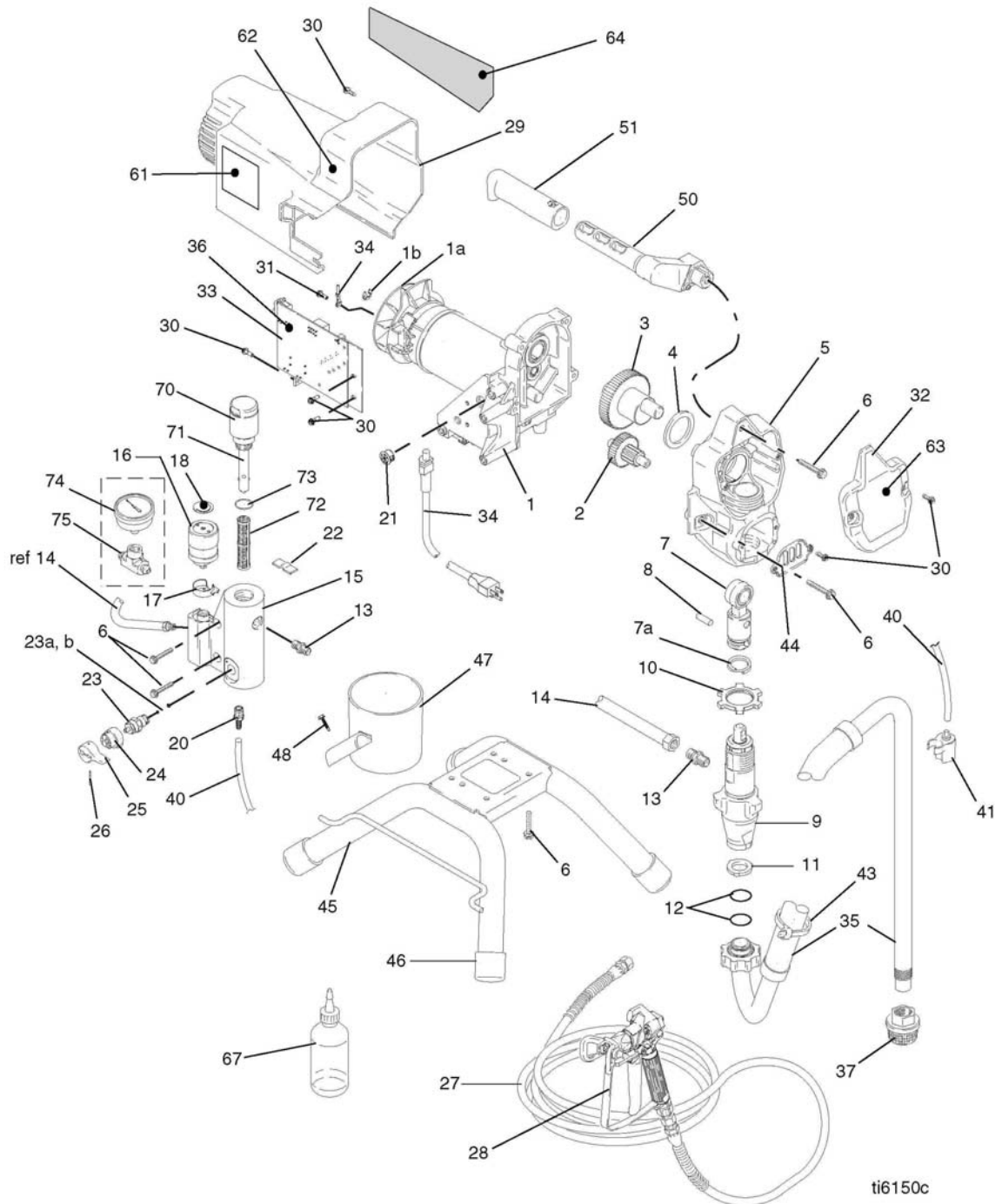


PROKÁZANÁ KVALITA, VEDOUcí TECHNOLOGIE

Revize H : MEDIA LIBEREC s.r.o., 7/2010
PRODEJ, MONTÁŽ, SERVIS
MEDIA LIBEREC s.r.o., Ruprechtická 95, 460 01 Liberec I
Tel: 482 751 579, 482 751 667 FAX: 482 750 022

Výkres dílů

Modely 253958, 254998



Seznam dílů

Modely 253958, 254998

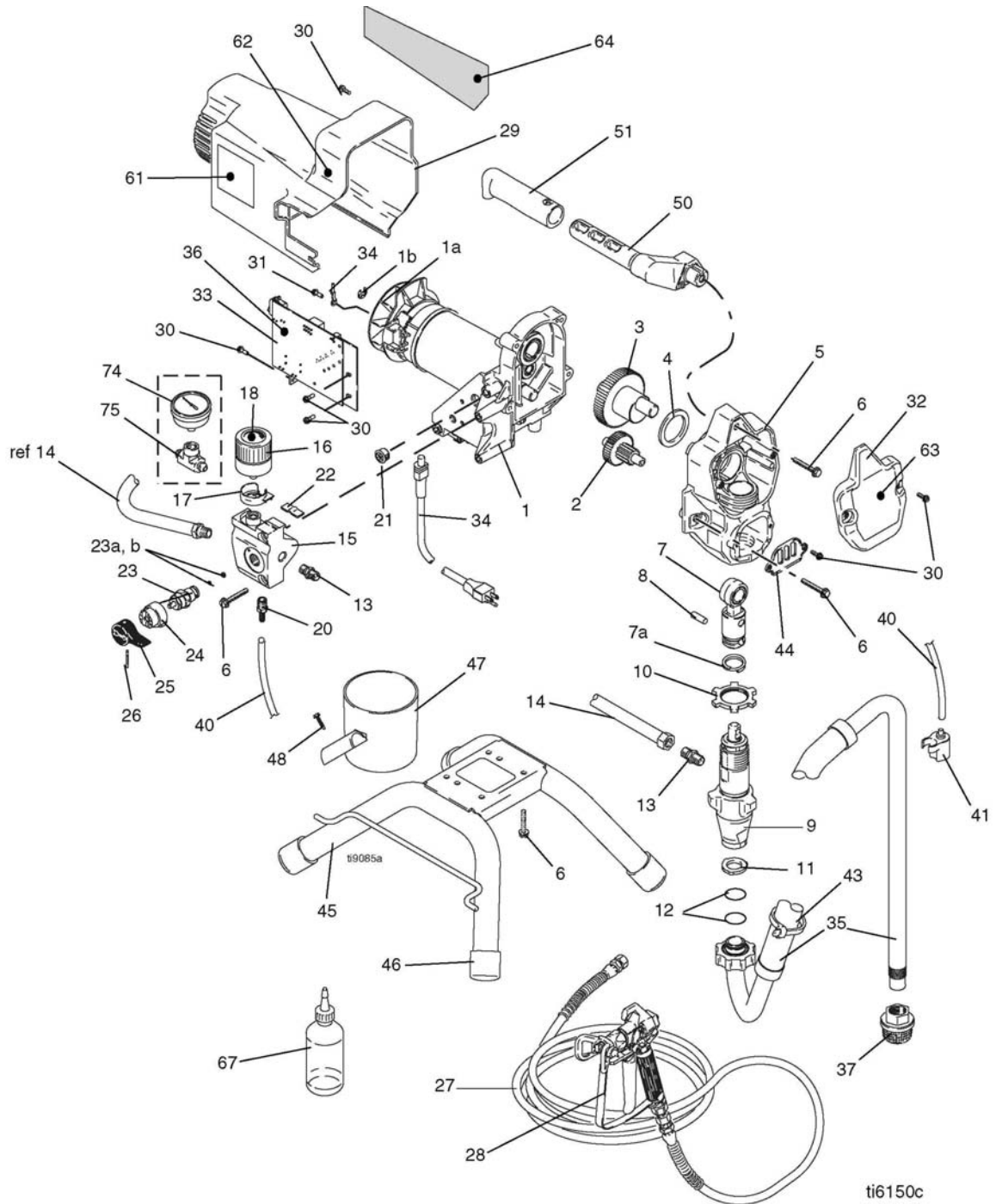
ref. č.	díl	popis	počet	ref. č.	díl	popis	počet
1		MOTOR, electric, includes 1a, 1b	-	34		CORD	-
	249040	Models 253958 120V	1	15J370	Models 253958, power, lighted	1	
	249041	Model 254998, 240V	1	253373	Model 254998, ST, IEC, jumper	1	
1a	249043	FAN, motor, includes 1b	1	246010	HOSE, suction set, includes 11, 12, 37	1	
1b	119653	RING, retaining	1	36	189930 LABEL, caution	1	
2	249194	GEAR, reducer	1	37	246385 STRAINER, 7/8-14 unif	1	
3	249195	GEAR, crankshaft, includes 4	1	40	249051 KIT, tube, drain, includes 20, 41, 43	1	
4	180131	BEARING, thrust	1	41	244035 DEFLECTOR, barbed	1	
5	249049	HOUSING, drive, includes 6, 30, 44	1	43	114958 STRAP, tie	1	
6	117493	SCREW, mach, hex washer hd	11	44	15B589 COVER, pump rod	1	
7	287053	ROD, connecting, includes 7a, 8	1	45	15E823 FRAME, stand mount	1	
7a	196750	SPRING, retaining	1	46	112759 CAP, tubing	4	
8	196762	PIN, straight	1	47	15G838 CUP, suction/drain	1	
9	246428	PUMP, displacement, includes 13 (Manual 309250)	1	48	115723 SCREW, drill, hex washer head	1	
10	195150	NUT, jam, pump	1	50	276864 HANDLE, includes 6, 51	1	
11	115099	WASHER	1	51	116139 GRIP, handle	1	
12	117559	O-RING	2	61▲	15K359 LABEL, warning	1	
13	162453	FITTING, (1/4 npsm x 1/4 npt)	2	62▲	195793 LABEL, warning	1	
14	287003	HOSE, cpd	1	63	LABEL, front	1	
15	15H977	MANIFOLD, filter	1	15E826	Models 253958, 254998 LABEL, side	1	
16		CONTROL, pressure, includes 17, 21, 22		64	15E827 Models 253958, 254998 TAG, warning	1	
	249005	Models 253958 120V	1	66▲	222385 TAG, warning	1	
	248929	Model 254998, 240V	1	67	238049 FLUID, TSL, 4 oz	1	
17	15E794	CAP, wire, control, pressure	1	88	CORD SET	1	
18	15F399	LABEL, control	1	287121	Model 254969	1	
20	M70809	FITTING	1		Italy, Denmark, Switzerland		
21	115756	BUSHING	1	242004	Europe, adapter	1	
22	119723	TAPE, foam	1	242005	Australia, adapter	1	
23	224806	VALVE, drain, includes 23a, 23b	1	287902	KIT, repair, filter cap, includes 71	1	
23a	277364	GASKET, seat	1	70	287902 KIT, repair, filter cap, includes 71	1	
23b	15E022	SEAT, valve	1	71	INSERT, filter	1	
24	224807	BASE, valve	1	72†	246384 FILTER, fluid, 60 mesh	1	
25	187625	HANDLE, valve, drain	1	73	117828 O-RING	1	
26	111600	PIN, grooved	1	74	115523 GAUGE, pressure, fluid; Model 254998	1	
27	240794	HOSE, cpd, 1/4 x 50 ft	1	75	119783 FITTING, swivel; Model 254998	1	
28		GUN, Manual 311861		77	243308 LABEL SET, international	1	
	288430	Model 253958, FTx, Contractor	1				
	288427	Model 254998, FTx-A, Contractor	1	‡119277	FUSE, replacement	1	
29	249044	KIT, shield, motor, includes 30, 61, 62, 64	1	249042	KIT, brush, motor, replacement	1	
30	117501	SCREW, machine, hex washer head	9				
31	115498	SCREW, mach, slot, hex, wash hd	1				
32	15B254	COVER, front, includes 30, 63	1				
33‡		CONTROL BOARD	1				
	249052	Models 253958, 254998 120V					
	257786	Model 254998, 240V					

▲ Náhradní výstražné a upozorňující štítky, nálepky a karty jsou k dostání zdarma.

† Další filtry jsou k dostání: 246382, 100 mesh; 246383, 200 mesh; 246425, 30 mesh

Výkres dílů

Modely 254968, 254969, 253961



Seznam dílů

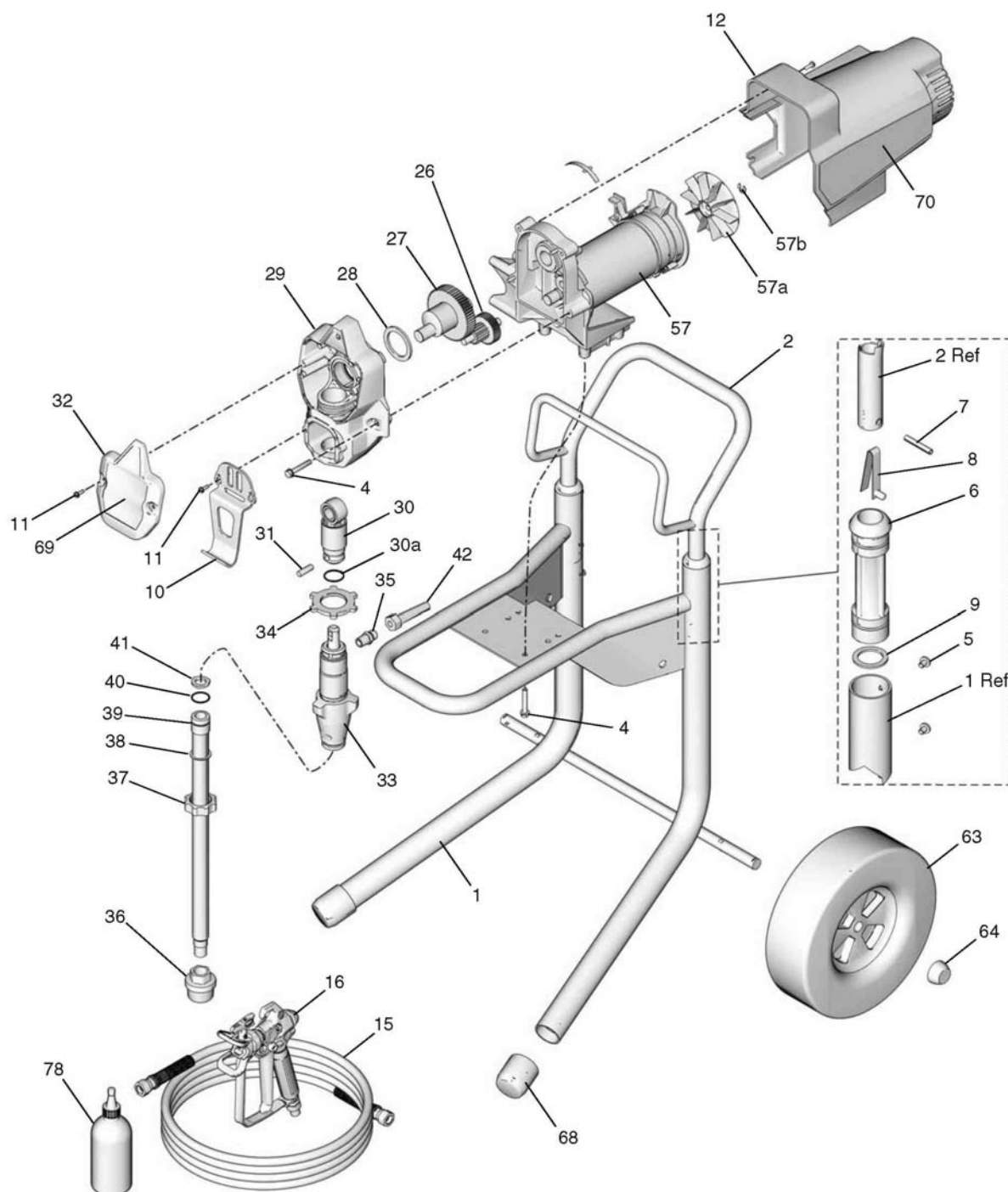
Modely 254968, 254969, 253961

ref. č.	díl	popis	počet	ref. č.	díl	popis	počet
1		MOTOR, electric, includes 1a, 1b					
	249040	Model 253961, 120V	1		249052	Model 253961, 120V	1
	249041	Models 254968, 254969, 240V	1		249053	Models 254968, 254969, 240V	1
1a	249043	FAN, motor, includes 1b	1	34		CORD	
1b	119653	RING, retaining	1		253370	Models 254968, 254969, ST, IEC, Jumper	1
2	249194	GEAR, reducer	1		253968	Model 253961, UK	1
3	249195	GEAR, crankshaft, includes 4	1	35	246010	HOSE, suction set, includes 11, 12, 37	1
4	180131	BEARING, thrust	1	36	189930	LABEL, caution	1
5	249049	HOUSING, drive, includes 6, 30, 44	1	37	246385	STRAINER, 7/8-14 unfl	1
6	117493	SCREW, mach, hex washer hd	11	40	249051	KIT, tube, drain, includes 20, 41, 43	1
7	287053	ROD, connecting, includes 7a, 8	1	41	244035	DEFLECTOR, barbed	1
7a	196750	SPRING, retaining	1	43	114958	STRAP, tie	1
8	196762	PIN, straight	1	44	15B589	COVER, pump rod	1
9	246428	PUMP, displacement, includes 13	1	45	15E823	FRAME, standmount	1
		Manual 309250		46	112759	CAP, tubing	4
10	195150	NUT, jam, pump	1	47	15G838	CUP, suction/drain	1
11	115099	WASHER	1	48	115723	SCREW, drill, hex washer head	1
12	117559	O-RING	2	50	276864	HANDLE, includes 6, 51	1
13	162453	FITTING, (1/4 npsm x 1/4 npt)	2	51	116139	GRIP, handle	1
14	287003	HOSE, opfld	1	61▲	15K359	LABEL, warning	1
15	15E295	MANIFOLD, control, pressure	1	62▲	195793	LABEL, warning	1
16		CONTROL, pressure, includes 17, 21, 22		63	15E826	LABEL, front	1
	249005	Model 253961, 120V	1	64	15E827	LABEL, side	1
	248929	Models 254968, 254969, 240V	1	66▲	222385	TAG, warning	1
17	15E794	CAP, wire, control, pressure	1	67	238049	FLUID, TSL, 4 oz	1
18	15F399	LABEL, control	1	68		CORD SET	
20	M70809	FITTING	1		287121	Model 254969	1
21	115756	BUSHING	1			Italy, Denmark, Switzerland	
22	119723	TAPE, foam	1		242004	Europe, adapter	1
23	224806	VALVE, drain, includes 23a, 23b	1		242005	Australia, adapter	1
23a	277364	GASKET, seat	1	74	115523	GAUGE, pressure, fluid (models	1
23b	15E022	SEAT, valve	1			254968, 254969)	
24	224807	BASE, valve	1	75	119783	FITTING, swivel (models 254968,	1
25	187625	HANDLE, valve, drain	1			254969)	
26	111600	PIN, grooved	1	77	243308	LABEL SET, international	1
27	240794	HOSE, opfld, 1/4x 50 ft	1				
28	288438	GUN, FTx-E, Contractor	1		‡119277	FUSE, replacement	
		Manual 311861			249042	KIT, brush, motor, replacement	
29	249044	KIT, shield, motor, includes 30, 61, 62, 64	1				
30	117501	SCREW, machine, hex washer head	9				
31	115498	SCREW, mch, slot, hex, wash hd	1				
32	15B254	COVER, front, includes 30, 63	1				
33‡		CONTROL BOARD					

▲ Náhradní upozorňující a výstražné nálepky, štítky a karty jsou k dostání zdarma.

Výkres dílů

Modely 262019, 262024



Seznam dílů

Modely 262019, 262024

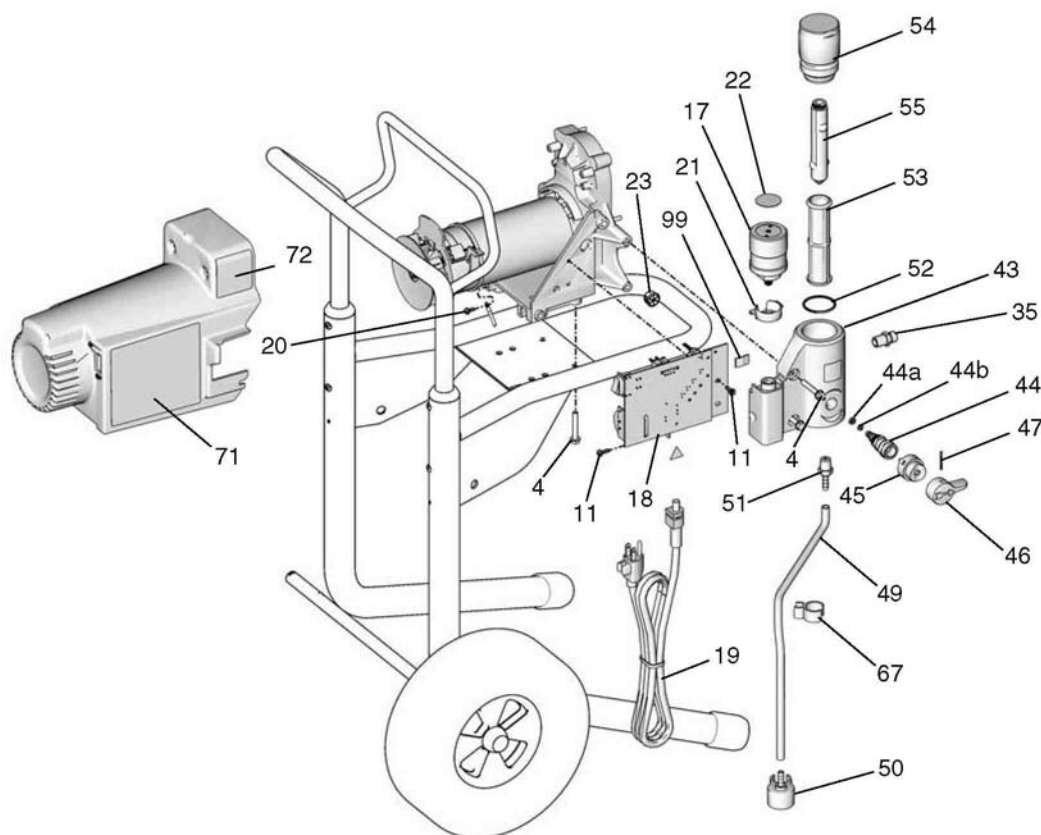
ref. č.	díl	popis	počet	ref. č.	díl	popis	počet
1	288216	FRAME, cart, hi	1	34	195150	NUT, jam, pump	1
2	245245	HANDLE, cart	1	35	162453	FITTING, (1/4 npsm x 1/4 npt)	2
4	117493	SCREW, mach, hex washer hd	11	36	235004	STRAINER, 3/4-16 unf	1
5	109032	SCREW, mach, pnh	4	37	15E813	NUT, jam	1
6	192027	SLEEVE, cart	2	38	15B652	WASHER, suction	1
7	108068	PIN, spring straight	2	39	15J801	TUBE, suction, intake	1
8	111590	BUTTON, snap	2	40	103413	O-RING	1
9	15J645	WASHER	2	41	115099	WASHER	1
10	15J812	HANGER, pail	1	42	15J744	HOSE, cpld	1
11	117501	SCREW, mach, slot hex wash hd	9	57†		MOTOR, electric	
12	24A048	KIT, shield, motor (includes 11, 71, and 72)	1	249040		Model 262019, 120V	1
15	240794	HOSE, cpld, 1/4 in. x 50 ft	1	249041		Model 262024, 240V	
16		GUN, Manual 311861	1	57a	249043	FAN, motor	1
	288430	Model 262019, FTX, contractor		57b	119653	RING, retaining	1
	288427	Model 262024, FTX-A, contractor		63	119451	WHEEL, semi pneumatic	2
26	249194	GEAR, assembly, combination	1	64	119452	CAP, hub	2
27	249195	GEAR, crankshaft; includes 28	1	68	15C871	CAP, leg	2
28	180131	BEARING, thrust	1	69	15K373	LABEL, front, brand	1
29	24A049	HOUSING, drive; includes 4, 10, 11	1	70	15K375	LABEL, side, brand	1
30	287053	ROD, connecting; includes 30a, 31	1	78	206994	FLUID, TSL, 8 oz (not shown)	1
30a	196750	SPRING, retaining	1				
31	196762	PIN, straight	1				
32	15B254	COVER, front (includes 69, 11)	1				
33	246428	PUMP, displacement (includes 35) Manual 309250	1				

▲ Náhradní výstražné a upozorňující nálepky, štítky a karty jsou k dostání zdarma.

† 249042 Kit, brush, motor

Výkres dílů

Modely 262019, 262024



Seznam dílů

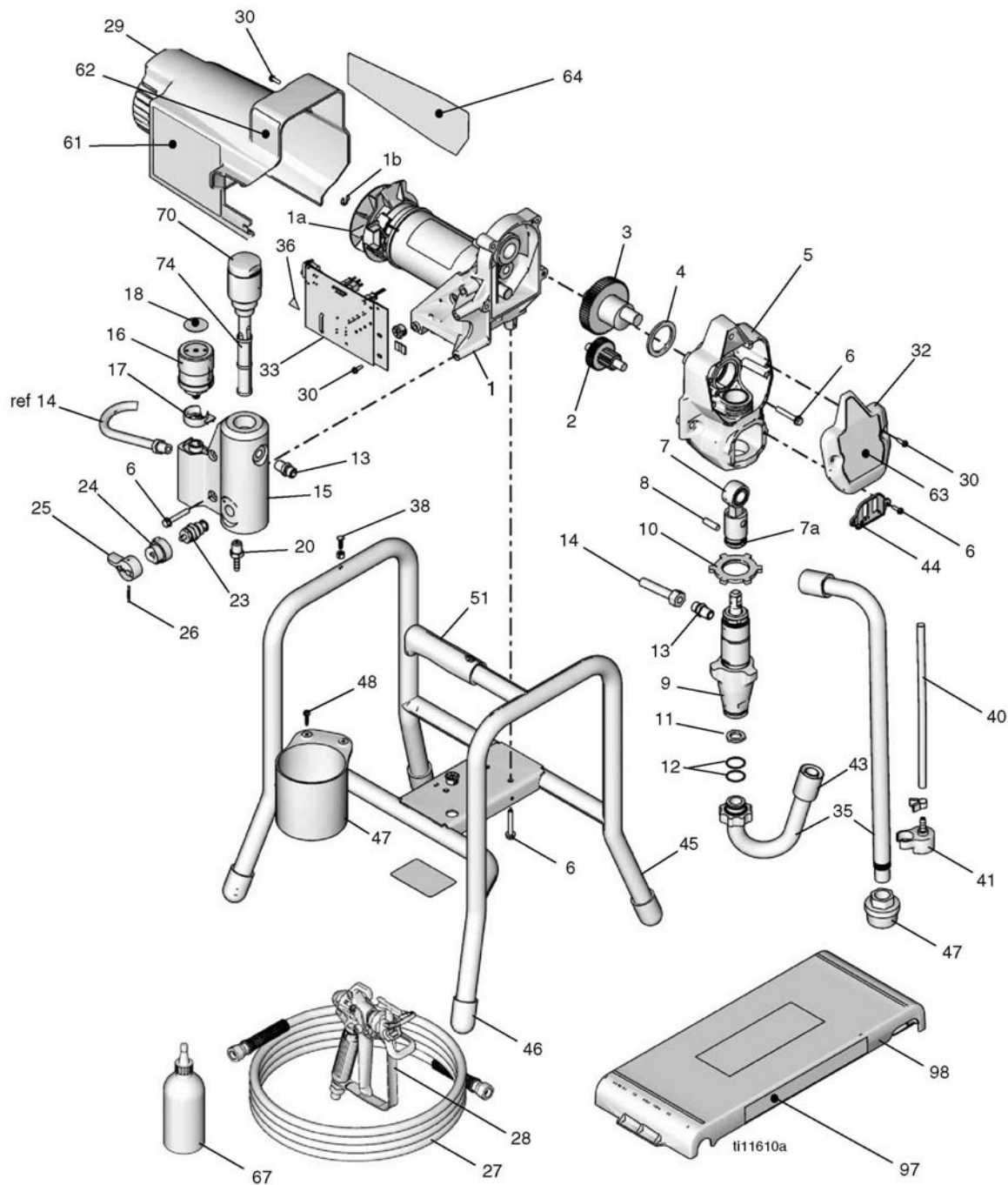
ref. č.	díl	popis	počet	ref. č.	díl	popis	počet
4	117493	SCREW, mach, hex washer hd	10	46	187625	HANDLE, valve, drain	1
11	117501	SCREW, mach, slot hex wash hd	7	47	111600	PIN, grooved	1
17		CONTROL, PRESSURE, includes 21, 23, 99	1	49	15K092	TUBE, drain	1
	249005	Model 262019, 120V		50	244035	DEFLECTOR, barbed	1
	248929	Model 262024, 240V		51	M70809	FITTING, barbed, hose	1
18‡		CONTROL, board	1	52	117828	O-RING	1
	249052	Model 262019, 120V		53	246384	FILTER, fluid	1
	257786	Model 262024, 240V		54	287902	CAP FILTER, (includes 54, 55)	1
19	15J743	CORD, power, lighted, cart unit	1	55		INSERT FILTER	1
20	115498	SCREW, mach, slot hex wash hd	1	67	195400	CLIP, spring	1
21	15E794	CAP, wire, control, pressure	1	71▲	15K359	LABEL, warning	1
22	15F399	LABEL, pressure control knob	1	72▲	195793	LABEL, warning	1
23	115756	BUSHING, universal	1	99	119723	TAPE, foam	1
43	15T874	MANIFOLD, Filter	1				
44	224806	VALVE, drain; includes 44a, 44b	1				
44a	277364	GASKET, seat	1				
44b	15E022	SEAT, valve	1				
45	224807	BASE, valve	1				

▲ Náhradní výstražné a upozorňující nálepky, štítky a karty jsou k dostání zdarma.

‡ 119277 Náhradní pojistka k motoru 120V

Výkres dílů

Modely 256391, 256392, 256481



Seznam dílů

Modely 256391, 256392, 256481

ref. č.	díl	popis	počet	ref. č.	díl	popis	počet
1♦		MOTOR, electric	1	36▲	189930	LABEL, caution	1
	249040	Model 256481, 120V		37	246385	STRAINER, 7/8-14 unif	1
	249041	Models 256391, 256392, 240V		38	244098	PIN, stop (826098 only)	1
1a	249043	FAN, motor, includes 1b	1	40	249051	KIT, tube, drain, includes 20, 41, 43	1
1b	119653	RING, retaining	1	41	244035	DEFLECTOR, barbed	1
2	249194	GEAR, reducer	1	43	114958	STRAP, tie	1
3	249195	GEAR, crankshaft, includes 4	1	44	15B589	COVER, pump rod	1
4	180131	BEARING, thrust	1	45		FRAME, stand mount	1
5	249049	HOUSING, drive, includes 6, 30, 44	1	15E823	Model 826084		1
6	117493	SCREW, mach, hex washer hd	11	24A070	Model 826098, includes 51, 46		1
7	287053	ROD, connecting, includes 7a, 8	1		CAP, tubing		
7a	196750	SPRING, retaining	1	112759	Model 826084		4
8	196762	PIN, straight	1	15G857	Model 826098		4
9	246428	PUMP, displacement, includes 13 (Manual 309250)	1	47		CUP, suction/drain	
				15G838	Model 826084		1
10	195150	NUT, jam, pump	1	15B870	Model 826098		1
11	115099	WASHER	1	48	115723	SCREW, drill, hex washer head	1
12	117559	O-RING	2	50		HANDLE, includes 6, 51	
13	162453	FITTING, (1/4 npsm x 1/4 npt)	2	276864	Model 826084 includes 6, 51		1
14	287003	HOSE, cpfd	1	276864	Model 826098 includes 6, 51		1
15	15H977	MANIFOLD, filter	1		(6 not used)		
16		CONTROL, pressure, includes 17, 21, 22	1	51	116139	GRIP, handle	1
	249005	Model 256481, 120V		61▲	15E936	LABEL, warning	1
	248929	Models 256391, 256392, 220V		62▲	195793	LABEL, warning	1
17	15E794	CAP, wire, control, pressure	1	63		LABEL, front	
18	15F399	LABEL, control	1	150220	Models 256391, 256481		1
20	M70809	FITTING	1	150446	Model 256392		1
21	115756	BUSHING	1		LABEL, side		
22	119723	TAPE, foam	1	150221	Models 256391, 256481		1
23	224806	VALVE, drain, includes 23a, 23b	1	150447	Model 256392		1
23a	277364	GASKET, seat	1	66▲	222385	TAG, warning	1
23b	15E022	SEAT, valve	1	67	238049	FLUID, TSL, 4 oz	1
24	224807	BASE, valve	1	70	287902	KIT, repair, filter cap, includes 71	1
25	187625	HANDLE, valve, drain	1	71		INSERT, filter	1
26	111600	PIN, grooved	1	72†	246384	FILTER, fluid, 60 mesh	1
27	240794	HOSE, cpfd, 1/4 x 50 ft	1	73	117828	O-RING	1
28		GUN	1	95	150222	Label, top	1
	288430	Model 256391, 256481, FTX contractor		97▲	15T843	LABEL, warning	1
	288427	Model 256392, FTX-A contractor		98	24A096	PLATFORM	1
29	249044	KIT, shield, motor, includes 30, 61, 62, 64	1				
30	117501	SCREW, machine, hex washer head	9				
31	115498	SCREW, mch, slot, hex, wash hd	1				
32	15B254	COVER, front, includes 30, 63	1				
33†		CONTROL BOARD	1				
	249052	Model 256481, 120V					
	249053	Models 256391, 240V					
	257786	Models 256392, 240V					
34	15J370	CORD	1				
35	246010	HOSE, suction set, includes 11, 12, 37	1				

▲ Náhradní výstražné a upozorňující štítky, nálepky a karty jsou k dostání zdarma.

† Další filtry jsou k dostání: 246382, 100 mesh; 246383, 200 mesh; 246425, 30 mesh

K PROVEDENÍ OBJEDNÁVKY NEBO PRO SERVIS vstupte do kontaktu se svým distributorem Graco.

Všechny napsané i vizuální údaje obsažené v tomto dokumentu odrážejí nejnovější informace v době vydání. Graco si vyhrazuje právo provádět kdykoli aktuální změny bez oznámení.

GRACO INC. P.O.BOX 1441 MINNEAPOLIS, MN 55440-1441
www.graco.com